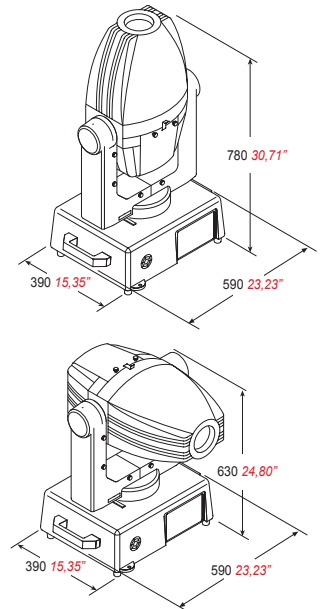


Stage Zoom 1200

Control Channels

%	CHANNELS																		
	1	2	3	4	5	6	7	8	9	10	11	12	13	14	15	16	17	18	19
	Iris	Color effects	Frost	Dimmer Stopper Strobe	PAN	TILT	Zoom	Focus	Rotating prism change	Prism rotation	Fixed gobo change	Rotating gobo change	Gobo rotation	Color mixing			Lamp control	fine PAN	fine TILT
100%																			
75%																			
50%																			
25%																			
0%																			



Technical data

Power supply

- Version with electronic ballast (with and without PFC):
 - 200-240V 50/60 Hz
 - 100-120V 50/60 Hz
- Version with electromagnetic ballast:
 - 220-240V 50 Hz
 - 200-220V 60 Hz

Lamp

Metal iodide lamp powered by a special unit incorporated in the fixture.

- Type HMI 1200W/S
 - Fitting Sfc 10-4
 - Color temperature 6.000 K
 - Luminous flux 110.000 lm
 - Average life 750 hrs

Power consumption

- Version with elect. ballast without PFC: 2.200VA at 230V 50 Hz
- Version with electronic ballast with PFC: 1.600VA at 230V 50 Hz

- Version with electromagnetic ballast: 1700VA at 230V 50Hz (Standard 140µF PFC).

Motors

N° 22 stepped motors with microstepping operation and full microprocessor control.

Optical system

- Twin-lens condenser.
- High luminous efficiency spherical reflector.
- Zoom lens, focal 114/243 (16° ÷ 24°).

Channels

N° 16 + 3 control channels.

Inputs

- DMX 512 • RS232/423 (PMX)

Moving body

- Movement produced by two microprocessor-controlled microstepping motors.
- Automatic PAN and TILT repositioning in

the event of accidental movement not-ordered from the desk.

- Range:
 - PAN = 450° - TILT = 252°
- Max. speed:
 - PAN = 4.0 sec (360°)
 - TILT = 3.2 sec (252°)
- Resolution:
 - PAN = ± 1.76°
 - PAN FINE = ± 0.007°
 - TILT = ± 0.98°
 - TILT FINE = ± 0.004°

Safety devices

- Dual-pole automatic overload cut-out.
- Power supply shuts off automatically in the case of overheating or cooling system failure.
- Power shuts off automatically when cover is opened.
- 4 safety-wire anchor points.

Cooling

Forced ventilation cooling system using axial flow fans.

Housing

- Made of diecast aluminium and steel.
- Epoxy powder coating.
- Two lateral transport handles.
- PAN and TILT lock system for transportation and maintenance.

Operating position

For use in any position.

Weight

- Electronic ballast version: 45.2 kg (99lbs 7oz)
- Electromagnetic ballast version: 58.7 kg (129lbs 2oz)

Dimensions

See design (mm/inches).

Sales Codes

STAGE ZOOM 1200

- C61001** Stage Zoom 1200 with electronic ballast
- C61002** Stage Zoom 1200 with electromagnetic ballast
- C61102** Effects unit to convert from Stage Zoom 1200 to Stage Color 1200



STAGE COLOR 1200 and STAGE ZOOM 1200

- C61050** Stage Color 1200 and Stage Zoom 1200 moving body base with electronic ballast.
- C61055** Stage Color 1200 and Stage Zoom 1200 moving body base with electromagnetic ballast.
- L10055** Osram 1200 W/S Lamp.
- 750359/001** Flange rotation keys for converting Stage Color 1200 to Stage Zoom 1200 and vice-versa.
- 183102/801** Clamp fixing bracket.
- C52175** Truss G clamps.

